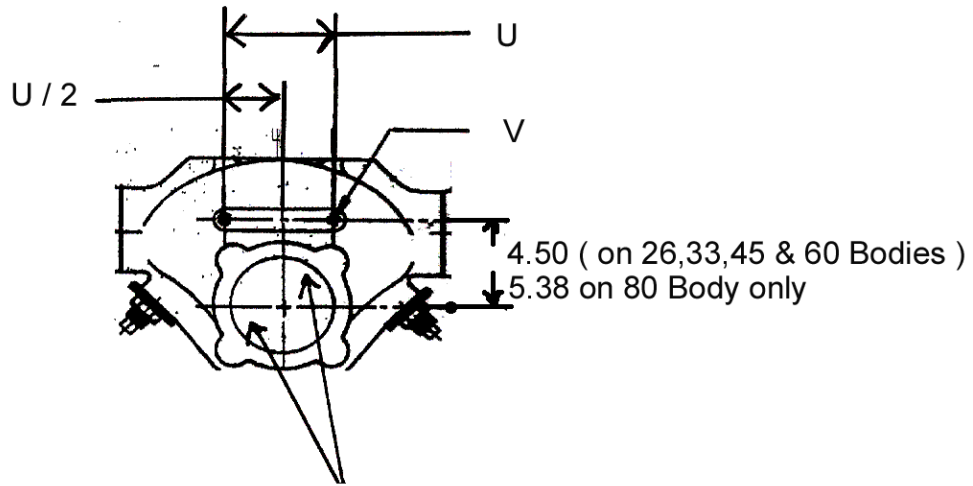


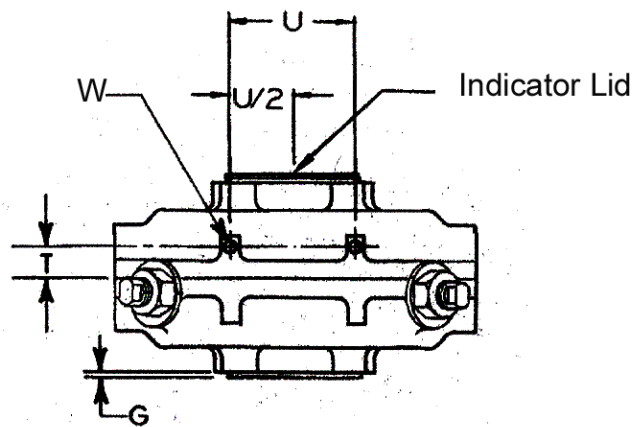
Top / Side Mounting For 26 / 33 / 45 / 60 & 80

Dimensions (Inches)



26,33, & 45 body Two tapped holes 1/4-20 located on a 180 degrees apart; 45 degrees off center line on a ZZ dia. bolt circle

60 & 80 body Two tapped holes 1/4-20 located on a 180 degrees apart; 90 degrees off center line on a ZZ dia. bolt circle



G	.09	ZZ Dia. For Bodies	
R	4.50	26 Body	2.75
T	.44	33 Body	3.50
U	3.00	45 Body	5.25
U/2	1.50	60 Body	7.25
VW	3/8-16	80 Body	8.00